

### EN Key

gr = grey

1	Control Box
2	Monitor
3	Adapter cable
4	Cinch plug
5	4-pin DIN plug

### ES Leyenda

gr = gris

1	Caja de distribución
2	Monitor
3	Cable adaptador
4	Clavija Cinch
5	Clavija DIN de 4 polos

### NL Legenda

gr = grijs

1	Schakelbox
2	Monitor
3	Adapterkabel
4	Cinch-stekker
5	4-polige DIN-stekker

### DE Legende

gr = grau

1	Schaltbox
2	Monitor
3	Adapterkabel
4	Cinch-Stecker
5	4-poliger DIN-Stecker

### PT Legenda

gr = cinzento

1	Caixa de distribuição
2	Monitor
3	Cabo adaptador
4	Ficha Cinch
5	Ficha DIN de 4 pólos

### DA Forklaring

gr = grå

1	Kontrolboks
2	Monitor
3	Adapterkabel
4	Phono-stik
5	DIN-stik med 4 ledere

### FR Légende

gr = gris

1	Boîte de commande
2	Ecran
3	Câble adaptateur
4	Fiche Cinch
5	Fiche DIN à 4 pôles

### IT Legenda

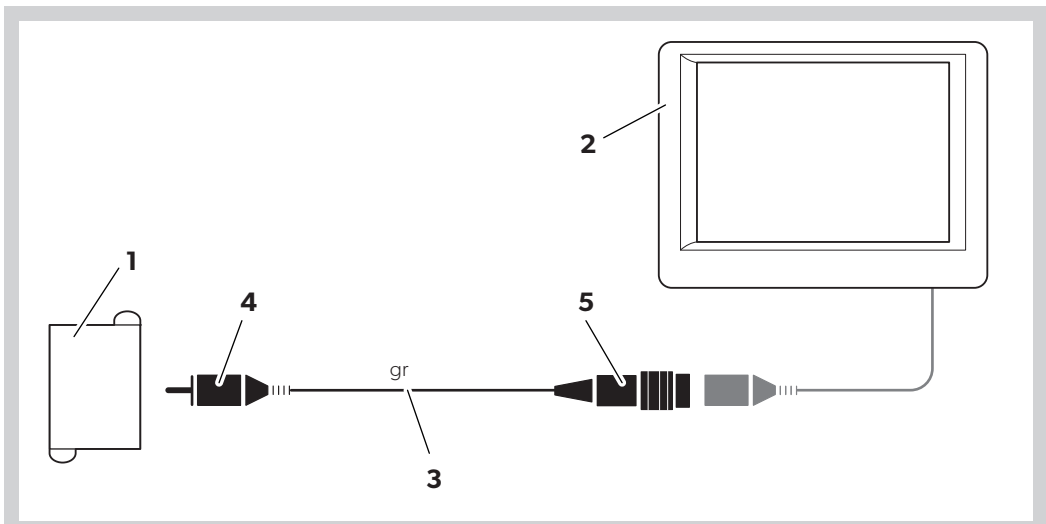
gr = grigio

1	Scatola di comando
2	Monitor
3	Cavo adattatore
4	Spina cinch
5	Spina DIN a 4 poli

### SV Teckenförklaring

gr = grå

1	Kopplingsbox
2	Monitor
3	Adapterkabel
4	Cinch-kontakt
5	4-polig DIN-kontakt



#### NO Tegnforklaring

gr = grå

- |   |                   |
|---|-------------------|
| 1 | Koblingsboks      |
| 2 | Monitor           |
| 3 | Adapterkabel      |
| 4 | Cinch-plugg       |
| 5 | 4-polet DIN-plugg |

#### FI Selitys

gr = harmaa

- |   |                        |
|---|------------------------|
| 1 | Kytinrasia             |
| 2 | Monitori               |
| 3 | Adapterijohto          |
| 4 | RCA-pistokkeelle       |
| 5 | 4-napainen DIN-pistoke |

#### RU Пояснения

gr = серый

- |   |                         |
|---|-------------------------|
| 1 | Разветвительная коробка |
| 2 | Монитор                 |
| 3 | Переходной кабель       |
| 4 | Штекер RCA              |
| 5 | 4-конт. DIN-штекер      |

#### PL Legenda

gr = szary

- |   |                      |
|---|----------------------|
| 1 | Skrzynka rozdzielcza |
| 2 | Monitor              |
| 3 | Kabel adaptera       |
| 4 | Wtyczka Cinch        |
| 5 | 4-pinowa wtyczka DIN |

#### SK Legenda

gr = sivá

- |   |                                    |
|---|------------------------------------|
| 1 | Spínací box                        |
| 2 | Monitor                            |
| 3 | Adaptérový kábel                   |
| 4 | Koaxiálny nízkofrekvenčný konektor |
| 5 | 4-pólový konektor DIN              |

#### CS Legenda

gr = šedá

- |   |                      |
|---|----------------------|
| 1 | Spínací box          |
| 2 | Monitor              |
| 3 | Kabel s adaptérem    |
| 4 | Konektor Cinch       |
| 5 | 4pólová zástrčka DIN |

#### HU Jelmagyarázat

gr = szürke

- |   |                         |
|---|-------------------------|
| 1 | kapcsolódoboz           |
| 2 | Monitor                 |
| 3 | Adapterkábel            |
| 4 | Jack-dugó               |
| 5 | 4 pólusú DIN-csatlakozó |

A complete list of Dometic companies, which comprise the Dometic Group, can be found in the public filings of:

**DOMETIC GROUP AB**  
Hermvångsgatan 15  
SE-17154 Solna Sweden

**YOUR LOCAL DEALER**  
[dometic.com/dealer](http://dometic.com/dealer)  
**YOUR LOCAL SALES OFFICE**  
[dometic.com/sales-office](http://dometic.com/sales-office)  
**YOUR LOCAL SUPPORT**  
[dometic.com/contact](http://dometic.com/contact)